

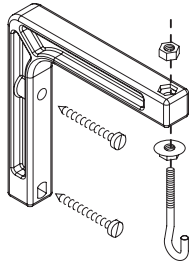
# Installation Instructions

## Wall Brackets by Draper

### Caution

- ① Do not overtighten bolts/screws: Overtightening could damage brackets.
- ② For added safety, crimp "S" hooks so the screen cannot come off.
- ③ Assembly hardware is included; fasteners for attaching to wall are not included.
- ④ Maximum load for wall brackets is 75 lbs; installer is responsible for ensuring the mounting surface is adequate.
- ⑤ Installer is responsible for providing hardware appropriate to mounting surface and size and weight of screen.

6" non-adjustable  
Extension Brackets



- ① Attach eye bolts to brackets. First, fully seat the flanged nut onto the eye bolt. Then, place a nut in the countersunk hole in the bracket, and screw in the eye bolt.

**Please Note: Make sure flanged nut is fully tightened against the wall bracket, but be careful not to overtighten.**

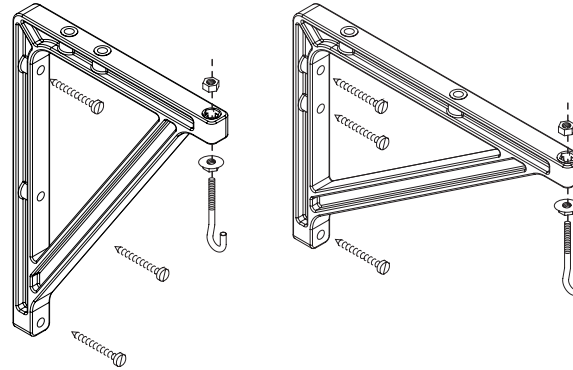
- ② Measure distance between mounting holes on the screen, and mark the bracket locations on the wall.
- ③ Mount brackets to wall.

**Please Note: It is the responsibility of the installer to ensure that appropriate hardware is used. See page 2 for recommendations. The maximum diameter fastener that should be used to attach to the wall is 5/16".**

- ④ Suspend the screen from the eye bolts with "S" hooks.
- ⑤ Crimp both ends of the "S" hooks so the screen cannot come off.

**For dimensional drawings, hardware/parts lists and fastener recommendations, please see reverse side.**

10" or 14"  
non-adjustable  
Extension Brackets



- ① Attach eye bolts to brackets. First, fully seat the flanged nut onto the eye bolt. Then, place a nut in the countersunk hole in the bracket, and screw in the eye bolt.

**Please Note: Make sure flanged nut is fully tightened against the wall bracket, but be careful not to overtighten.**

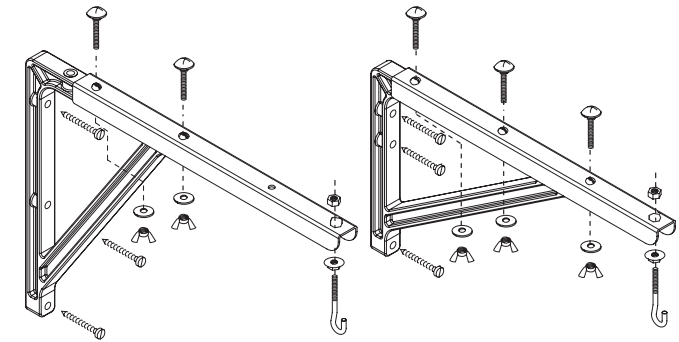
- ② Measure distance between mounting holes on the screen, and mark the bracket locations on the wall.
- ③ Mount brackets to wall. For 10" extension from wall, install with the long end against the wall. For 14" extension from wall, install with short end against the wall.

**Please Note: It is the responsibility of the installer to ensure that appropriate hardware is used. See page 2 for recommendations. The maximum diameter fastener that should be used to attach to the wall is 5/16".**

- ④ Suspend the screen from the eye bolts with "S" hooks.
- ⑤ Crimp both ends of the "S" hooks so the screen cannot come off.

**For dimensional drawings, hardware/parts lists and fastener recommendations, please see reverse side.**

18¼"-24" adjustable or  
20" non-adjustable  
Extension Brackets



- ① Attach Extension arms to wall brackets. For 20" extension from wall, attach extension arms to short ends of brackets. For 18¼"-24" extension from wall, attach extension arms to short ends of brackets.
- ② Attach eye bolts to brackets. First, fully seat the flanged nut onto the eye bolt. Then, place a nut in the countersunk hole in the bracket, and screw in the eye bolt.

**Please Note: Make sure flanged nut is fully tightened against the wall bracket, but be careful not to overtighten.**

- ③ Measure distance between mounting holes on the screen, and mark the bracket locations on the wall.
- ④ Mount brackets to wall.

**Please Note: It is the responsibility of the installer to ensure that appropriate hardware is used. See page 2 for recommendations. The maximum diameter fastener that should be used to attach to the wall is 5/16".**

- ⑤ Suspend the screen from the eye bolts with "S" hooks.
- ⑥ Crimp both ends of the "S" hooks so the screen cannot come off.

**For dimensional drawings, hardware/parts lists and fastener recommendations, please see reverse side.**

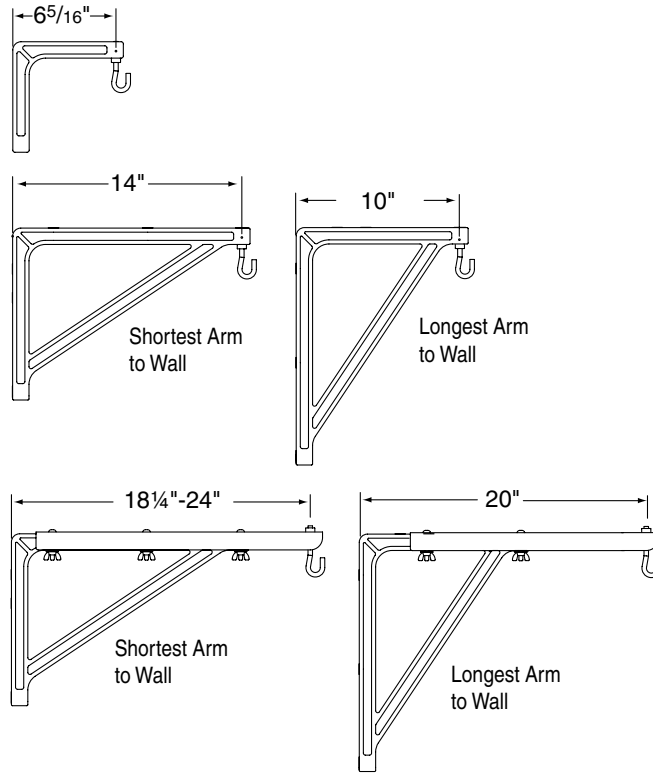
# DRAPER

If you encounter any difficulty installing or servicing your Wall Brackets by Draper, call your dealer or Draper, Inc., Spiceland, Indiana, (765) 987-7999; fax (765) 987-7142; or email [draper@draperinc.com](mailto:draper@draperinc.com).

411 S. Pearl St., Spiceland, IN 47385 USA ■ 765-987-7999 ■ fax 765-987-7142  
e-mail [draper@draperinc.com](mailto:draper@draperinc.com) ■ [www.draperinc.com](http://www.draperinc.com)

Copyright ©2005 Draper Inc. Form WallBrackets\_Inst05-R Printed in U.S.A.

## Wall Brackets—Dimensions



### Recommended Hardware

For mounting into wood or wall stud, use #10 x 1 1/4" wood screws; for mounting into drywall (minimum 1/2" thick), use 3/16" toggle bolts or 3/16" molly bolts.

**Please Note: These are only recommendations. It is the responsibility of the installer to ensure that appropriate hardware is used. The maximum diameter fastener that should be used to attach to the wall is 5/16".**

### Hardware Kit for 6" Non-adjustable and 10" & 14" Non-adjustable Extension Brackets

5/16"-18 Nut-2



5/16"-18 Flanged Nut-2



Eye bolt-2



"S" Hook-2



**Please Note: When using "S" hooks to suspend screen from wall brackets, be sure to crimp both ends of the "S" hooks for additional safety.**

### Hardware Kit for 18 1/4"-24" Adjustable and 20" Non-adjustable Extension Brackets

1/4"-20 x 1 1/4" Carriage Bolt-4



1/4" Washer-4



1/4"-20 Wing Nut-4



5/16"-18 Nut-2



5/16"-18 Flanged Nut-2



Eye bolt-2



"S" Hook-2

