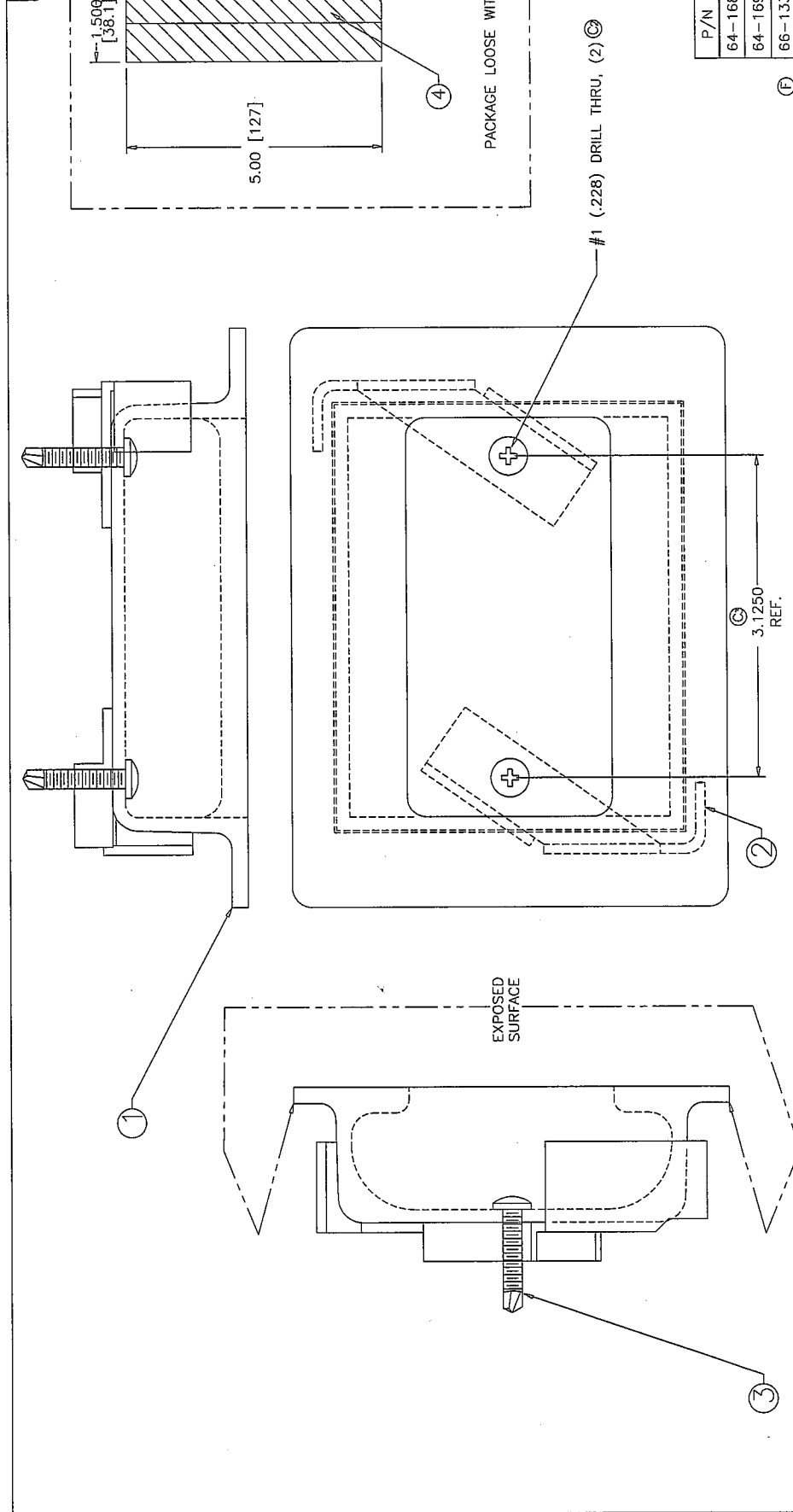


DRAWING # REV. A2-2510 F



| P/N    | ITEM #3 | FINISH    |
|--------|---------|-----------|
| 64-168 | 51-646  | BROWN     |
| 64-169 | 51-645  | GRAY      |
| 66-133 | 51-945  | LAMBS WOL |

2101 KENNEDY RD.  
JANESVILLE, WI 53545  
THIS DOCUMENT & INFO IS CONFIDENTIAL TO HUFOR & SHALL NOT BE REPRODUCED/RELEASED TO 3RD PARTIES. USE IS LIMITED TO INTENDED PURPOSE THIS DOCUMENT WAS CREATED FOR. DO NOT SCALE DRG.  
ALL DIMENSIONS ARE FOR FINISHED UNPAINTED PART.

HUFOR, INC.  
DATE 6/29/89  
INITIALS BKH  
TITLE ASSY. - PANEL PULL  
USAGE ALL  
SCALE FULL  
FINISH NOTED  
SHEET OF

SEE B.O.M.  
REVISIONS

| REV. | DESCRIPTION  | ECN # | DATE | ENGR. |
|------|--|-------|------|-------|
| F    | ADDED LAMBS WOOL 99-133  | 5735  | 6/06 | GRS   |
| E    | CHANGED FINISHES FROM BRZ TO BRN & CLR TO GRY                              | 5090  | 9/99 | GRS   |
| D    | 1.500 WAS 3.000  | 4494  | 7/97 | MLH   |
| C    | 1) REM'D 53-117, IT IS IN 18-210, 2) #1 DRILL WAS A #10, 3) ADDED REF. DIM | 3847  | 1/96 | GRS   |
| B    | ADDED ITEMS 4 & 5  |       |      |       |
| A    | REMOVED P/N 65-170   | JMF   | 8/91 | BKH   |

| NO. REC'D. | ITEM | NO.           | DR'WG. NO. | DESCRIPTION               |
|------------|------|---------------|------------|---------------------------|
|            | 2    | 18-210A1-2519 |            | STEEL BACKER - PANEL PULL |
|            | 3    | NOTED         |            | S-DRKWK 10-16 X 1 PH PAN  |
|            | 2    | 34-525A2-2491 |            | HOLDER - PANEL PULL       |
|            | 1    | 65-174A2-2490 |            | PANEL PULL - UNFINISHED   |

5735 6/06 GRS  
5090 9/99 GRS  
4494 7/97 MLH  
3847 1/96 GRS  
12/95 GRZ

5735 6/06 GRS  
5090 9/99 GRS  
4494 7/97 MLH  
3847 1/96 GRS  
12/95 GRZ