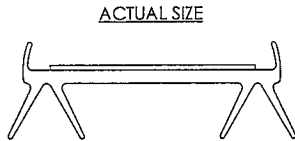


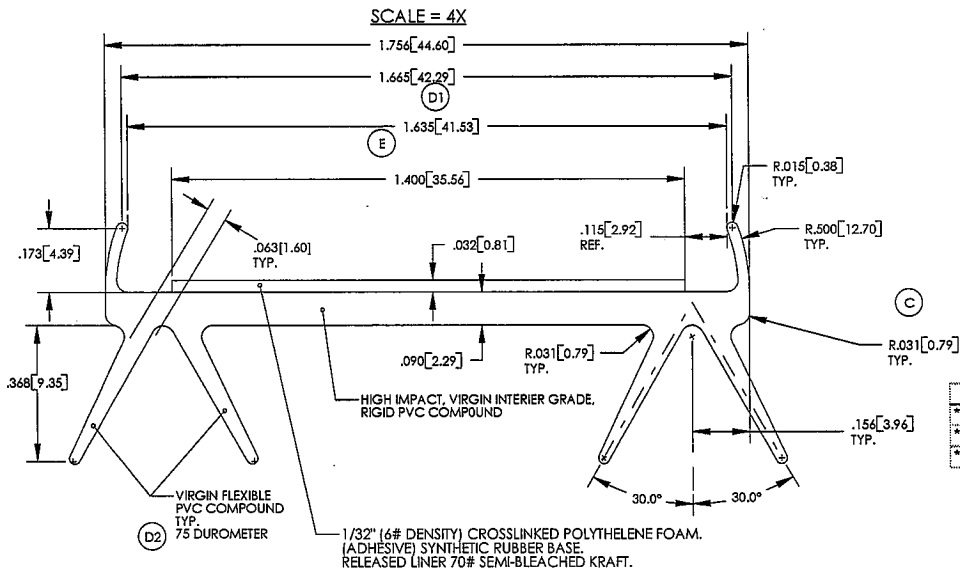
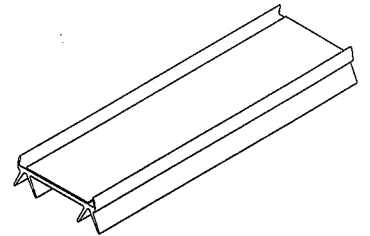
REFERENCE DIMS  
XX-XXXX

DRAWING #  
K-1991

REV  
E



ACTUAL SIZE



P/N	DESCRIPTION	LENGTH
21-918	GRAY	98"
21-919	BROWN	98"
21-920	GRAY	53"
21-921	BROWN	53"

**TOLERANCE**  
 \* CUT ENDS TO HAVE A ± 3° ANGULAR TOLERANCE  
 \* CAMBER TOLERANCE OF .063" PER FOOT  
 \* CUT LENGTH ± 2.00" - 0.00"

REV.	DESCRIPTION	REVISED	ENGR.	DATE	CHKD.
E	ADD TOLERANCES			10/20/2004	tawi
D	1) WAS 1.650 2) ADDED DUROMETER			7/8/2004	tawi
C	RADIUS .063 WAS .031			5/30/2003	tawi

DIMS. IN [ ] ARE IN MM & ARE REF.. RMV. BURRS & BRK. SHARP EDGES .02 MAX.		DESIGNER: [TAWI]		DRAWN BY: [TAWI]		HUF COR, INC.		P01 KENNEDY RD MURFREESBORO, TN 38555	
DATE: 10/20/04	TIME: 1:17 PM	DATE: 10/20/04	TIME: 1:17 PM	DATE: 10/20/04	TIME: 1:17 PM	DATE: 10/20/04	TIME: 1:17 PM	DATE: 10/20/04	TIME: 1:17 PM
CLASS: 2 THRU 9		FILE: 2004-10-20		MATERIAL: 5000R SERIES		TITLE: Pathfinder Seal Shoe		PART # Noted	
NATURAL		Noted		SCALE: 1:8		FINISH: Noted		DRAWING # K-1991	
REV: -		ENGR: -		DATE: -		CHKD: -		REV: E	
REV: -		ENGR: -		DATE: -		CHKD: -		REV: E	